



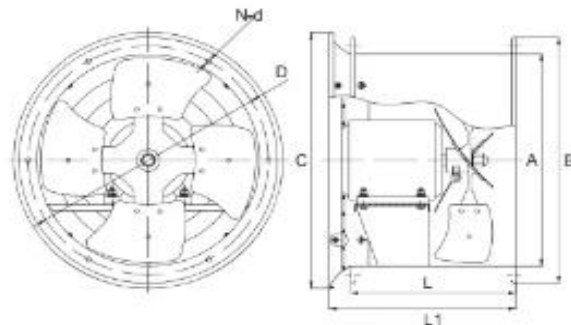
### FG 系列低噪音轴流管道通风机

#### FG Series Low Noise Axial Duct Fan

- 叶片为前掠式三元扭曲宽叶片
  - 噪声低，风量大，效率高，风压稳定
  - 机壳、叶轮表面采用先进的工艺流水线进行喷涂处理，色彩柔和光艳，持久不变
  - 可根据需要加装前网或者后网
- The fan adopts specially designed forward curved three-dimensional twisted blade.
  - Low noise, large air flow, high efficiency, and stable air pressure.
  - The fan is powder coated with lasting bright color.
  - The fan with rear grill, front grill is optional.
  - Suitable for ventilation in factories and civil buildings.

### 外形尺寸图

#### Outline dimensions



型号 Model	规格 Diameter of blade (mm)	尺寸 A/B/C/D/N-d/L/L1 Outline dimensions (mm)	额定电压 Voltage & frequency (V)	功率 Power (KW)	转速 Speed (rpm)	风量 Air flow (m <sup>3</sup> /min)	风压 Pressure (Pa)
SF3G-4	300/12"	310/360/375/335/6-Φ7/230/260	380V/50Hz	0.08	1420	27	65
DF3G-4	300/12"	310/360/375/335/6-Φ7/230/260	220V/50Hz	0.08	1420	27	65
SF3.5G-4	350/14"	360/410/415/385/6-Φ7/230/260	380V/50Hz	0.37	1420	62	130
DF3.5G-4	350/14"	360/410/415/385/6-Φ7/230/260	220V/50Hz	0.37	1420	62	130
SF4G-2	400/16"	410/460/480/435/8-Φ9/260/300	380V/50Hz	1.1	2800	111	307
SF4G-4	400/16"	410/460/480/435/8-Φ9/260/300	380V/50Hz	0.55	1420	88	166
DF4G-4	400/16"	410/460/480/435/8-Φ9/260/300	220V/50Hz	0.55	1420	88	166
SF5G-2	500/20"	510/560/595/535/8-Φ9/260/310	380V/50Hz	1.5	2800	233	350
DF5G-2	500/20"	510/560/595/535/8-Φ9/260/310	220V/50Hz	1.5	2800	233	350
SF5G-4	500/20"	510/560/595/535/8-Φ9/260/310	380V/50Hz	0.75	1420	155	196
DF5G-4	500/20"	510/560/595/535/8-Φ9/260/310	220V/50Hz	0.75	1420	155	196
SF5G-4	500/20"	510/560/595/535/8-Φ9/260/310	380V/50Hz	1.5	1420	155	196
SF5G-6	500/20"	510/560/595/535/8-Φ9/260/310	380V/50Hz	0.37	960	128	98
SF6G-2	600/24"	610/670/695/640/8-Φ9/345/395	380V/50Hz	3	2800	333	400
SF6G-6	600/24"	610/670/695/640/8-Φ9/375/425	380V/50Hz	1.1	960	217	176
SF6G-4	600/24"	610/670/695/640/8-Φ9/375/425	380V/50Hz	2.2	1420	312	294
DF6G-4	600/24"	610/670/695/640/8-Φ9/375/425	220V/50Hz	2.2	1420	312	294
SF7G-4	700/28"	710/770/825/740/10-Φ12/400/450	380V/50Hz	3	1420	408	315
DF7G-4	700/28"	710/770/825/740/10-Φ12/400/450	220V/50Hz	2.2	1420	400	300
SF7G-6	700/28"	710/770/825/740/10-Φ12/375/425	380V/50Hz	2.2	960	383	195
SF8G-4	800/32"	810/870/925/840/12-Φ12/400/450	380V/50Hz	4	1420	500	345
SF8G-6	800/32"	810/870/925/840/12-Φ12/400/450	380V/50Hz	2.2	960	467	196

Remark: 300mm to 500mm are carton box package  
600mm to 800mm are wooden box package