



RC-A CENTRIFUGAL ROOF FAN



CB

CE



intertek

Email: deton@detonfan.com

Tel: 86-758-7787212

Fax: 86-758-7787112

Website: zqdetonfan.com

Add: Pingan Road, Industrial Park, Deqing,
Guangdong, China

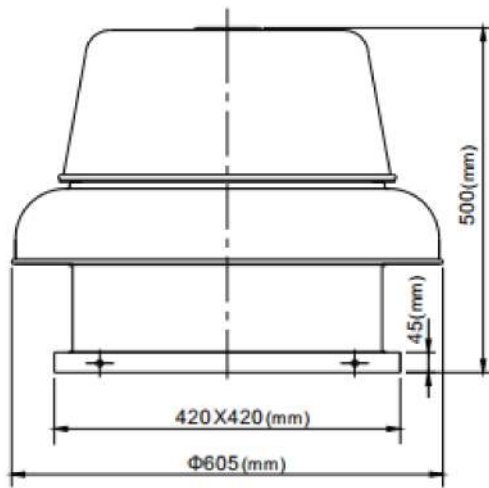


Descriptions:

- Downblast type centrifugal roof fan which adopts backward centrifugal aluminum impeller and aluminum fan casing
- One-piece spinning fan cover, which is durable and can with stand large wind load.
- Drive mechanism support plate is made of anti-corrosion galvanized steel plate.
- Flashing: Stepped design prevents water seepage.
- Galvanized bird-proof net
- Models: 200, 260, 320, 360, 400, 450, 500
- Air volume: 700-10722m³/h
- Static pressure: 39-311Pa
- Suitable for installation on the roof of industrial and mining plants, civil buildings, shopping malls and other places for the purpose of extraction and exhaust.



RC-320A Dimension (mm)



Model	Voltage	Frequency	Power	Rotation Speed	Air-flow	Static pressure	Impller Diameter
RC320-A	220-240V	50/60Hz	0.25 kW-4	1380/1650 r/min	2007/2400 m ³ /h	159/227 Pa	12 inch

