



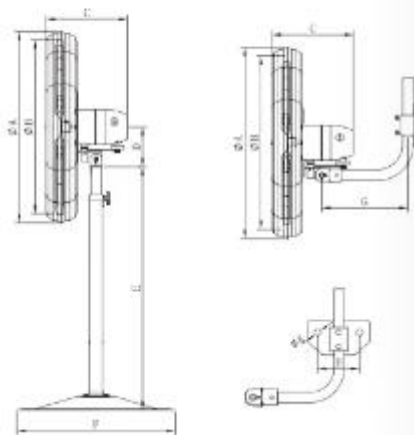
工业强力风扇系列 Powerful Fan

> DFP 系列强力风扇 DFP Series Stand & Wall Powerful Fan

- 优化的风叶结构，压铸铝风叶
 - 风量，噪音低
 - 电动机铁芯采用冷轧硅钢片，铜漆包线，损耗小，低于50K 温升设计，过载能力强。电动机采用优质低噪音全金属机箱，内置可复位热保护器，运行稳定，能连续运行 5000 小时。
 - 有三档调速，摇头角度可调。
 - 两叶 / 三叶可供选择。座地式的风扇可选择铁底座，或能过 0.8 米跌落测试的塑料底座；挂墙式风扇可加价购买拉绳开关。
 - 适用于工矿企业，车间，仓库等场所作防暑降温，通风换气，改善环境之用。
- Optimized blade structure, die-casting aluminum blade.
 - Large air volume, low noise.
 - The motor adopts cold-rolled silicon steel sheet, copper enameled wire, less than 50K temperature rise design, with excellent overload capacity. The motor uses high quality low noise metal gear box and built-in re-settable thermal protector to ensure stable operation, the fan can run 5000 hours continuously.
 - Three speeds, oscillation angle adjustable.
 - Two or three blades is optional. Metal base or plastic base (can pass 0.8 meter's drop test) is optional for stand type; pull cord switch can be added with additional price for wall fan.
 - Used for cooling and ventilation in factories, workshops, warehouses, and more.



外形尺寸图
Outline dimensions



型号 Model	规格 Diameter of blade (mm)	尺寸 A/B/C/D/E/F/G/H/K/L Outline dimensions (mm)	额定电压 Voltage & frequency	档位 Speed	功率 Power (W)	转速 Speed (rpm)	风量 Air volume (m ³ /min)	噪音 Noise (dB)	认证 Certificates
DFP500-T	500/20"	560/500/360/205/765/550/-/-/-/1320	220V/50Hz	低档 /low	90	1100	85	48	CE CB SAA G-MARK RoHS SASO ERP ECO
DFP500-TW		560/500/360/-/-/-/250/125/13/-		中档 /medium	95	1250	105	50	
				高档 /high	120	1400	120	55	
DFP600-T	600/24"	660/600/360/205/765/550/-/-/-/1320	220V/50Hz	低档 /low	110	1100	115	52	
DFP600-TW		660/600/360/-/-/-/250/125/13/-		中档 /medium	120	1250	135	56	
				高档 /high	150	1400	175	62	
DFP650-T	650/26"	715/650/360/205/965/600/-/-/-/1520	220V/50Hz	低档 /low	120	1100	135	55	
DFP650-TW		715/650/360/-/-/-/250/125/13/-		中档 /medium	135	1250	160	60	
				高档 /high	160	1400	195	68	
DFP750-T	750/30"	815/750/360/205/965/600/-/-/-/1520	220V/50Hz	低档 /low	160	1100	195	58	
DFP750-TW		815/750/360/-/-/-/250/125/13/-		中档 /medium	175	1250	245	70	
				高档 /high	220	1400	270	75	