

屋顶风机系列

Roof Fan



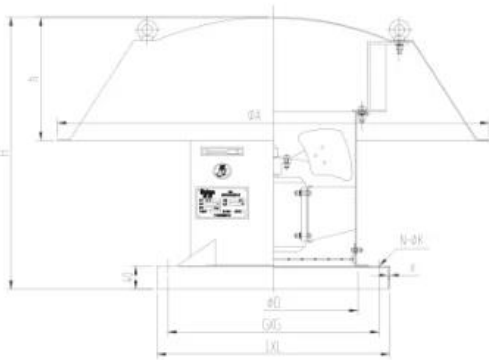
> DWT-I 型钢制屋顶轴流风机

DWT-I Axial Roof Fan

- 底座及风筒采用优质钢板。风帽采用优质铝板制作而成
- 适用于宾馆，饭店，影剧院，办公室，实验室，厂房，住宅等建筑物的通风换气
- 机号：3#、3.5#、4#、5#、6#、7#、8# 等 7 个
- The base and housing are made of high-quality steel plate. The cap is made of high-quality aluminum plate.
- Suitable for ventilation in hotel, theater, office, lab, factory, residence and so on.
- Models: 3#, 3.5#, 4#, 5#, 6#, 7#, 8# all in 7 models

外形尺寸图

Outline dimensions



型号 Model	ØA	H	h	ØD	LxL	GxG	N-ØK	δ
DWT-1-3#	Ø720	485	205	Ø320	440x440	400x400	4-Ø10	3
DWT-1-3.5#	Ø720	485	205	Ø370	480x480	440x440	4-Ø10	3
DWT-1-4#	Ø720	525	205	Ø420	520x520	470x470	4-Ø14	3
DWT-1-5#	Ø1124	610	270	Ø520	700x700	650x650	4-Ø14	3
DWT-1-6#	Ø1124	680	270	Ø620	900x900	770x770	4-Ø14	3
DWT-1-7#	Ø1334	770	310	Ø720	1000x1000	900x900	4-Ø14	5
DWT-1-8#	Ø1480	800	360	Ø820	1100x1100	1000x1000	4-Ø14	5

型号 Model	额定电压 Voltage & frequency	功率 Power (KW)	转速 Speed (rpm)	风量 Air flow (m³/h)	全压 Total pressure (Pa)	噪声 Noise (dB)
DWT-1-3#	380V/50Hz	0.08	1420	1600	65	< 65
	220V/50Hz	0.08	1420	1600	65	< 65
DWT-1-3.5#	380V/50Hz	0.37	1420	3700	130	< 67
	220V/50Hz	0.37	1420	3700	130	< 67
DWT-1-4#	380V/50Hz	0.55	1420	5300	166	< 72
	220V/50Hz	0.55	1420	5300	166	< 72
DWT-1-5#	380V/50Hz	0.37	960	7700	98	< 68
	380V/50Hz	0.75	1420	9300	196	< 74
DWT-1-5#	220V/50Hz	0.75	1420	9300	196	< 74
	380V/50Hz	1.1	960	13000	176	< 71
DWT-1-6#	380V/50Hz	2.2	1420	18700	294	< 75
	220V/50Hz	2.2	1420	18700	294	< 75
DWT-1-7#	380V/50Hz	2.2	960	23000	195	< 75
	380V/50Hz	3	1420	24500	315	< 78
	220V/50Hz	2.2	1420	24000	300	< 78
DWT-1-8#	380V/50Hz	2.2	960	28000	196	< 78
	380V/50Hz	4	1420	30000	345	< 81