



TAE带式传动空调风机

前倾公制叶轮
带式传动 双进风

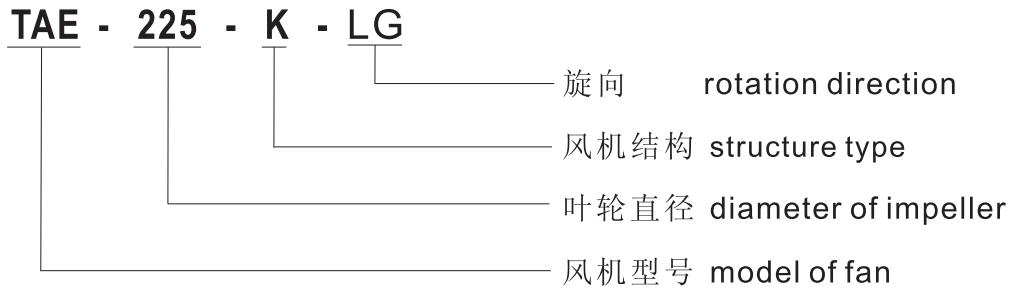
TAE Series
DWDI, Forward Blades
CENTRIFUGAL FAN



广东肇庆德通有限公司
GuangDong zhaoqing DETON Co., Ltd.

2011. 3月版

产品命名方式 Designation of Products



产品特征 Technical specification

■ 叶轮: 叶轮采用前弯多翼式设计, 具有效率高、低噪声的特点。叶轮全部用镀锌板冲压而成, 具有使用寿命高的特点。

Wheel: The impeller of TAE have forward curved muti-blades in order to obtain max,efficiency and low noise level. The impeller is manufactured in galvanized steel.

■ 机壳: 机壳采用优质热镀锌钢板制成, 侧板采用数控激光切割而成保证高精度的型线。侧板与涡板之间采用碰焊工艺连接。

Scroll: made of high grade galvanized steelsheet, and it is cutted by laser-cutting machine with high quality.

■ 框架: 框架采用折边角钢焊接或TOX铆接而成。

Frame: made of galvanized angle sections steel .

■ 轴承: 轴承采用优质调心滚珠轴承。

Bearing: out-spherial ball bearing are used in TAE

■ 主轴: 主轴采用优质45号钢精加工而成, 确保主轴的尺寸及行位公差。每根主轴都经过防锈处理。

Shaft: the shaft is made of C45 carbon steel with high tolerance levels.shaft is provided corrosion resistance.

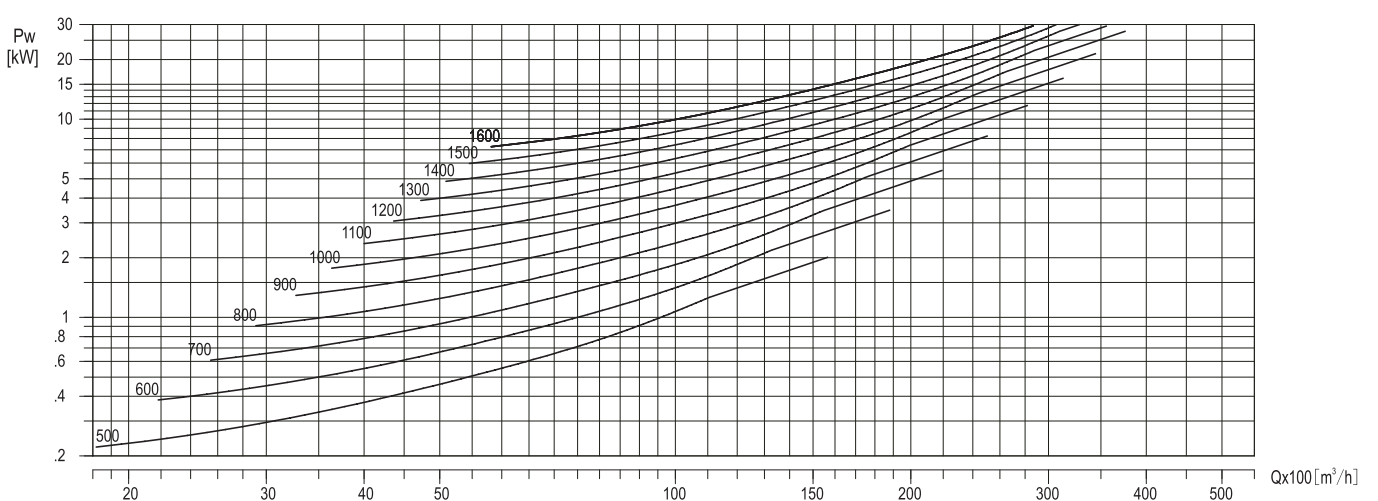
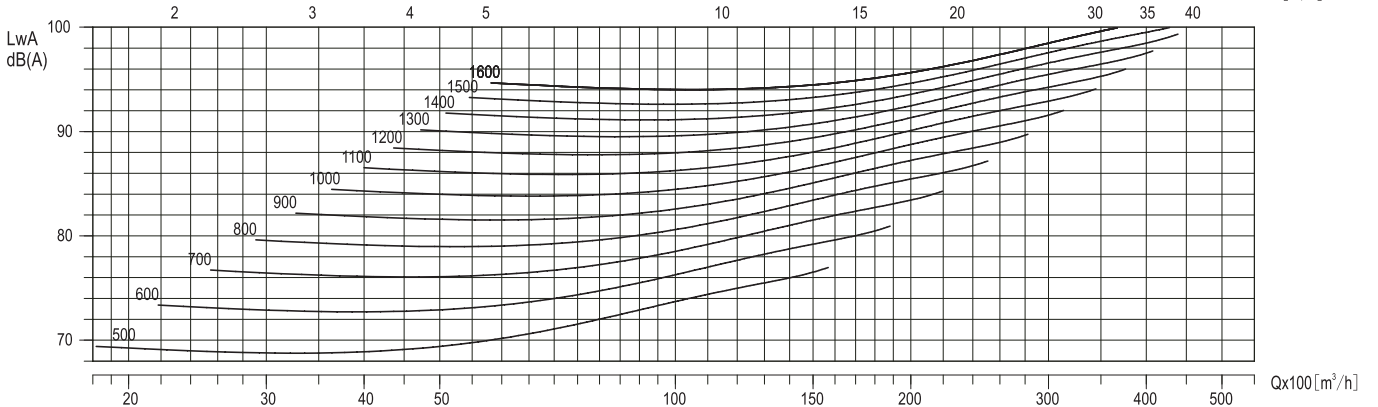
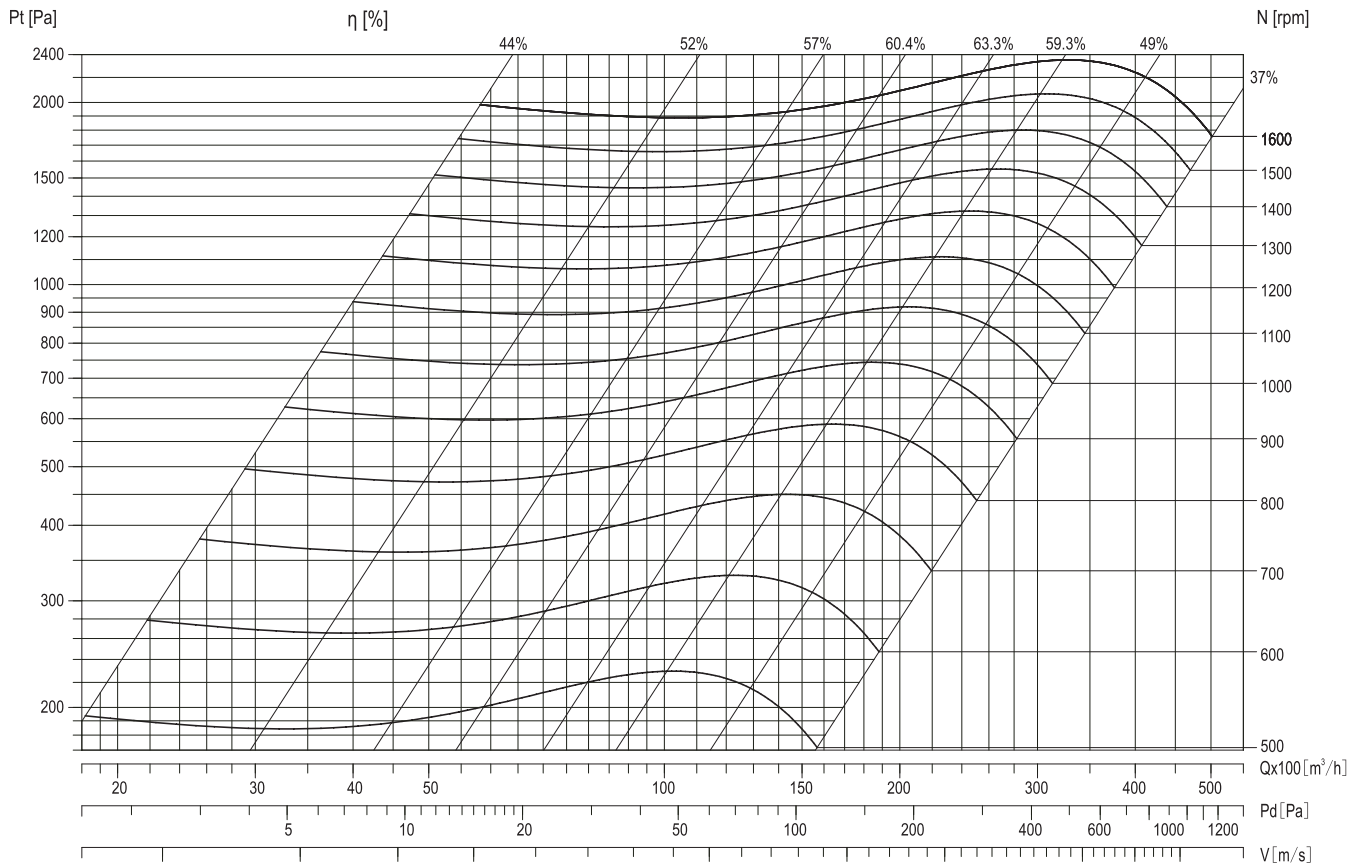
■ 平衡: 每个叶轮在装配前都经过动平衡, 平衡精度满足ISO1940 和AMCA204 标准中G4.0标准。

Balance: all wheel are statically and dynamically balanced to ISO1940 and AMCA 204-G4.0 standard.



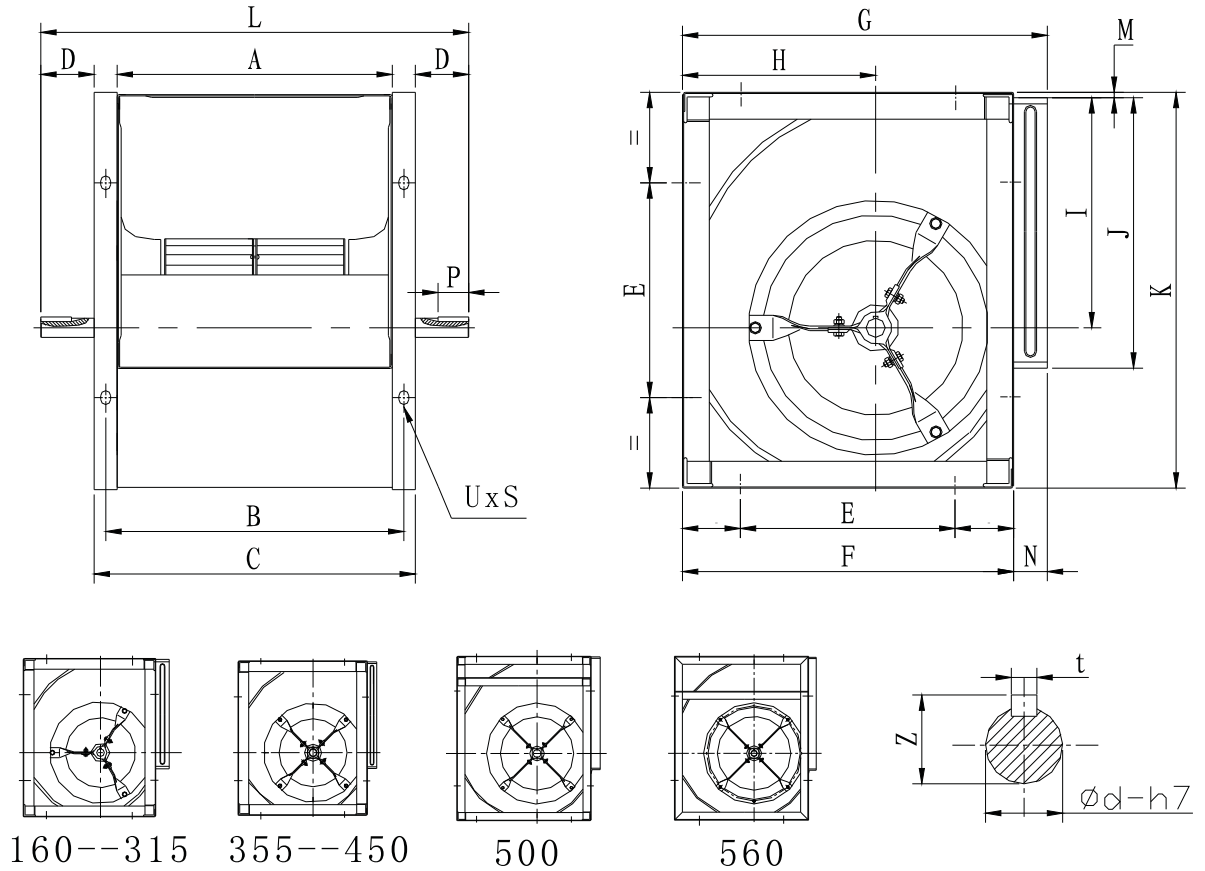
TAE450

Air Density: 1.2 kg/m³



Performance shown is installation type B-free inlet, ducted outlet. Performance ratings do not include the effects of appurtenances in the airstream. Power ratings does not include drive losses.

TAE-K Dimension



[mm]

| Model | A | B | C | D | E | F | G | H | I | J | K | L | M | N | Ød | t | Z | P | UXS |
|--------|-----|-----|-----|----|-----|-----|-----|-----|-----|-----|------|------|---|----|----|----|------|----|-------|
| TAE160 | 202 | 227 | 252 | 57 | 160 | 264 | 290 | 150 | 175 | 198 | 306 | 366 | 2 | 36 | 20 | 6 | 22.8 | 32 | 11X16 |
| TAE180 | 228 | 248 | 278 | 57 | 180 | 294 | 323 | 171 | 196 | 225 | 336 | 392 | 2 | 29 | 20 | 6 | 22.8 | 32 | 11X16 |
| TAE200 | 252 | 287 | 322 | 47 | 200 | 310 | 347 | 183 | 218 | 249 | 375 | 416 | 4 | 37 | 20 | 6 | 22.8 | 32 | 11X16 |
| TAE225 | 284 | 319 | 354 | 47 | 225 | 352 | 386 | 206 | 245 | 281 | 419 | 448 | 3 | 34 | 20 | 6 | 22.8 | 32 | 11X16 |
| TAE250 | 319 | 344 | 369 | 57 | 224 | 383 | 418 | 224 | 271 | 315 | 460 | 483 | 3 | 35 | 20 | 6 | 22.8 | 32 | 11X16 |
| TAE280 | 359 | 389 | 419 | 68 | 280 | 432 | 466 | 252 | 304 | 355 | 518 | 555 | 3 | 34 | 25 | 8 | 28.3 | 40 | 13X18 |
| TAE315 | 404 | 434 | 464 | 68 | 280 | 480 | 518 | 282 | 342 | 400 | 578 | 600 | 1 | 38 | 25 | 8 | 28.3 | 40 | 13X18 |
| TAE355 | 454 | 494 | 534 | 70 | 355 | 548 | 578 | 318 | 385 | 450 | 654 | 674 | 4 | 30 | 30 | 8 | 33.3 | 50 | 13X18 |
| TAE400 | 504 | 544 | 584 | 70 | 355 | 612 | 650 | 360 | 433 | 504 | 736 | 724 | 4 | 38 | 30 | 8 | 33.3 | 50 | 13X18 |
| TAE450 | 564 | 604 | 644 | 83 | 530 | 681 | 726 | 404 | 487 | 562 | 827 | 810 | 4 | 45 | 35 | 10 | 38.3 | 50 | 13X18 |
| TAE500 | 635 | 675 | 715 | 93 | 530 | 750 | 800 | 448 | 543 | 632 | 918 | 901 | 2 | 50 | 35 | 10 | 38.3 | 63 | 13X18 |
| TAE560 | 715 | 765 | 815 | 93 | 530 | 844 | 892 | 502 | 605 | 712 | 1030 | 1001 | 5 | 48 | 40 | 12 | 43.3 | 63 | 13X18 |

说明：所有尺寸允许偏差±4mm

Note: Overall dimension tolerance arange ±4mm .