



# TAE带式传动空调风机

前倾公制叶轮  
带式传动 双进风

**TAE Series**  
**DWDI, Forward Blades**  
**CENTRIFUGAL FAN**



广东肇庆德通有限公司  
GuangDong zhaqing DETON Co., Ltd.

2011. 3月版

## 产品命名方式 Designation of Products



## 产品特征 Technical specification

- 叶轮:** 叶轮采用前弯多翼式设计，具有效率高、低噪声的特点。叶轮全部用镀锌板冲压而成，具有使用寿命高的特点。

**Wheel:** The impeller of TAE have forward curved muti-blades in order to obtain max,efficiency and low noise level. The impeller is manufactured in galvanized steel.
- 机壳:** 机壳采用优质热镀锌钢板制成，侧板采用数控激光切割而成保证高精度的型线。侧板与涡板之间采用碰焊工艺连接。

**Scroll:** made of high grade galvanized steelsheet, and it is cutted by laser-cutting machine with high quality.
- 框架:** 框架采用折边角钢焊接或TOX铆接而成。

**Frame:** made of galvanized angle sections steel .
- 轴承:** 轴承采用优质调心滚珠轴承。

**Bearing:** out-spherial ball bearing are used in TAE
- 主轴:** 主轴采用优质45号钢精加工而成，确保主轴的尺寸及行位公差。每根主轴都经过防锈处理。

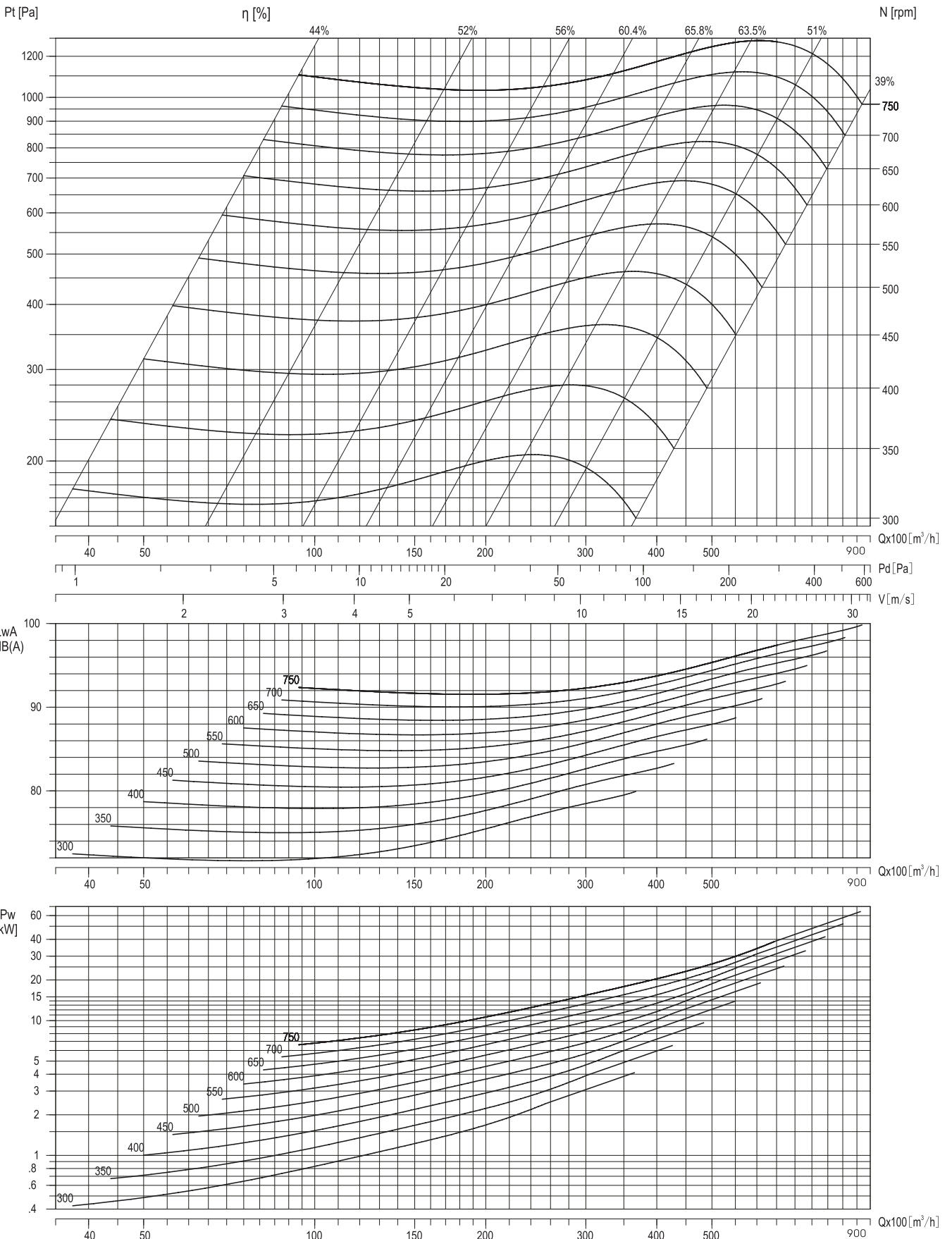
**Shaft:** the shaft is made of C45 carbon steel with high tolerance levels.shaft is provided corrosion resistance.
- 平衡:** 每个叶轮在装配前都经过动平衡,平衡精度满足ISO1940 和AMCA204 标准中G4.0标准。

**Balance:** all wheel are statically and dynamically balanced to ISO1940 and AMCA 204-G4.0 standard.



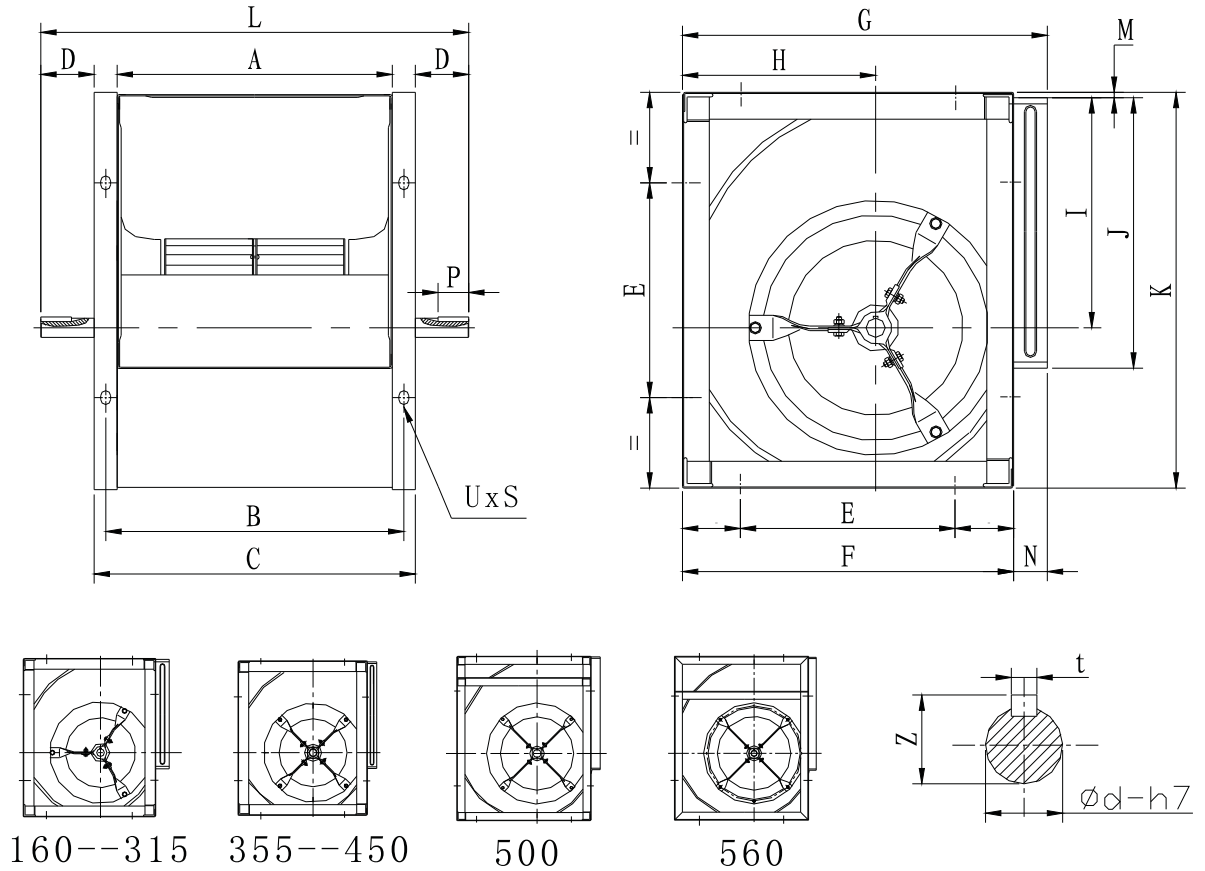
# TAE710

Air Density: 1.2 kg/m<sup>3</sup>



Performance shown is installation type B-free inlet, ducted outlet. Performance ratings do not include the effects of appurtenances in the airstream. Power ratings does not include drive losses.

### TAE-K Dimension



[mm]

Model	A	B	C	D	E	F	G	H	I	J	K	L	M	N	$\varnothing d$	t	Z	P	UXS
TAE160	202	227	252	57	160	264	290	150	175	198	306	366	2	36	20	6	22.8	32	11X16
TAE180	228	248	278	57	180	294	323	171	196	225	336	392	2	29	20	6	22.8	32	11X16
TAE200	252	287	322	47	200	310	347	183	218	249	375	416	4	37	20	6	22.8	32	11X16
TAE225	284	319	354	47	225	352	386	206	245	281	419	448	3	34	20	6	22.8	32	11X16
TAE250	319	344	369	57	224	383	418	224	271	315	460	483	3	35	20	6	22.8	32	11X16
TAE280	359	389	419	68	280	432	466	252	304	355	518	555	3	34	25	8	28.3	40	13X18
TAE315	404	434	464	68	280	480	518	282	342	400	578	600	1	38	25	8	28.3	40	13X18
TAE355	454	494	534	70	355	548	578	318	385	450	654	674	4	30	30	8	33.3	50	13X18
TAE400	504	544	584	70	355	612	650	360	433	504	736	724	4	38	30	8	33.3	50	13X18
TAE450	564	604	644	83	530	681	726	404	487	562	827	810	4	45	35	10	38.3	50	13X18
TAE500	635	675	715	93	530	750	800	448	543	632	918	901	2	50	35	10	38.3	63	13X18
TAE560	715	765	815	93	530	844	892	502	605	712	1030	1001	5	48	40	12	43.3	63	13X18

说明：所有尺寸允许偏差±4mm

Note: Overall dimension tolerance arange ±4mm .

TAE Series